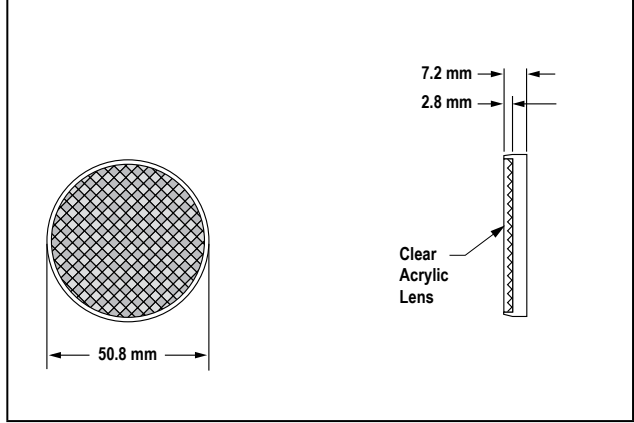
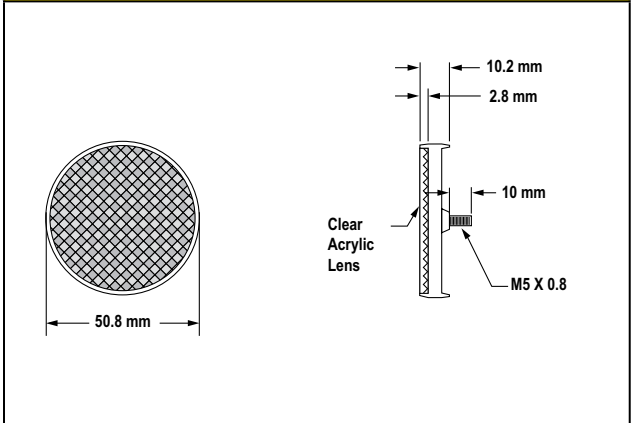


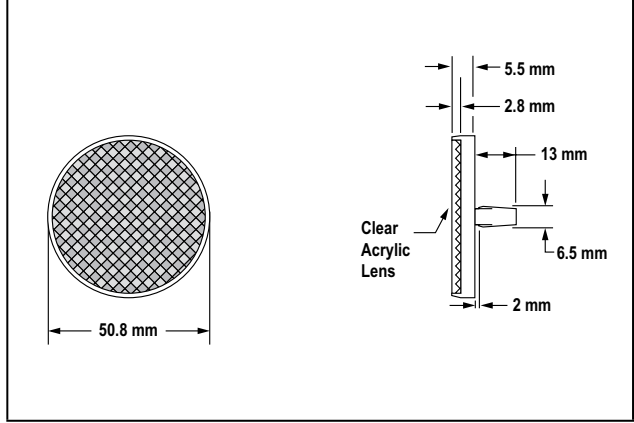
BRT-50
 Description: Round, acrylic target
 Reflectivity Factor: 1.0
 Temperature: -20° to +60° C



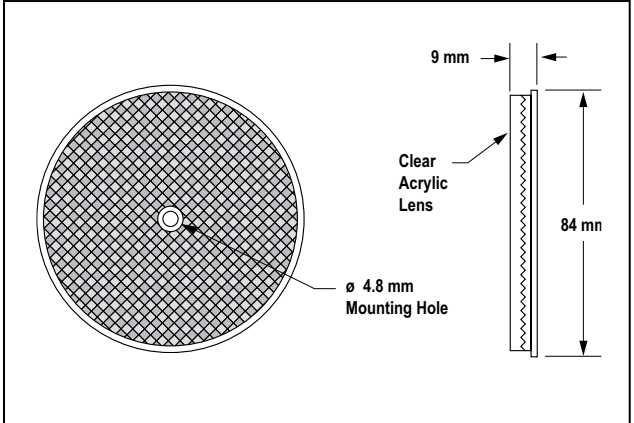
BRT-50D
 Description: Round, acrylic target with mounting stud
 Reflectivity Factor: 1.0
 Temperature: -20° to +60° C
 Other: Optional brackets are available. See page 620.



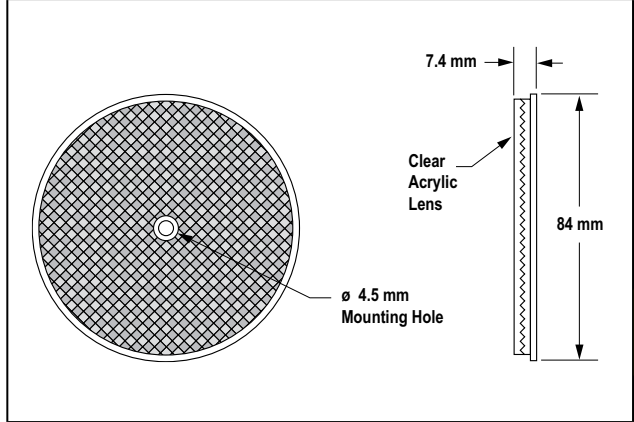
BRT-50R
 Description: Round, rivet-secured acrylic target
 Reflectivity Factor: 1.0
 Max. Temperature: -20° to +60° C
 Other: Optional brackets are available. See page 620.



BRT-3
 Description: Round, acrylic target
 Reflectivity Factor: 1.0
 Temperature: -20° to +60° C
 Other: Optional brackets are available. See page 620.



BRT-84
 Description: Round, acrylic target
 Reflectivity Factor: 1.4
 Max. Temperature: -20° to +60° C
 Other: Optional brackets are available. See page 620.



More on next page