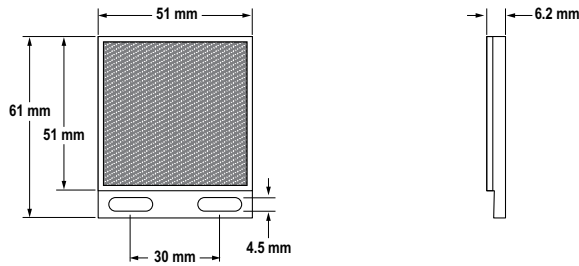


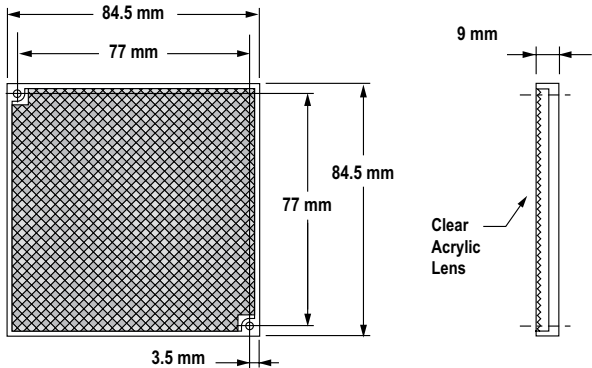
BRT-51X51BM

Description: Square, acrylic target
Reflectivity Factor: 1.5 **Max. Temperature:** 50° C
Other: This target has micro-prism geometry. Optional brackets are available on page 620. Replaces reflector BRT-36X40BM.



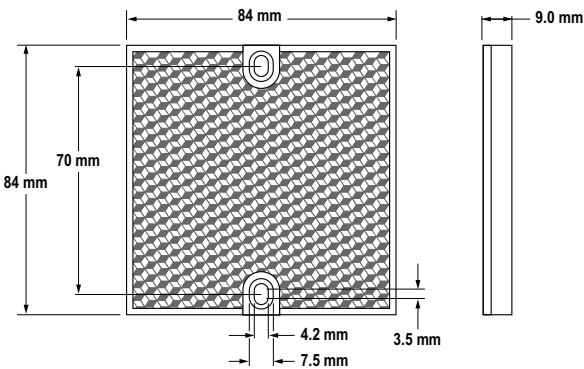
BRT-77X77C

Description: Square, acrylic target
Reflectivity Factor: 2.0
Temperature: -20° to +60° C
Other: Optional brackets are available. See page 620.



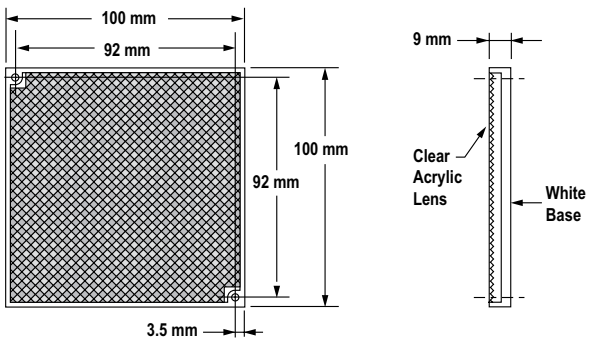
BRT-84X84A

Description: Square, acrylic target
Reflectivity Factor: 2.0
Temperature: -20° to +60° C



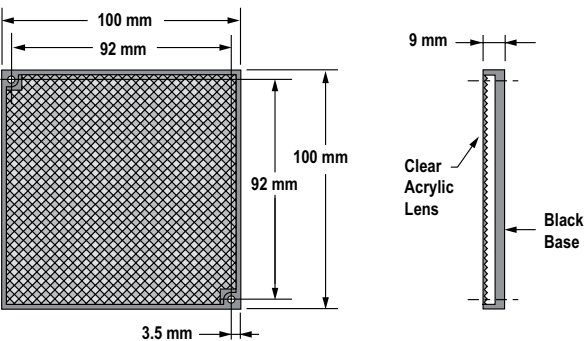
BRT-92X92C

Description: Square, acrylic target
Reflectivity Factor: 3.0
Temperature: -20° to +60° C
Other: Optional brackets are available. See page 620.



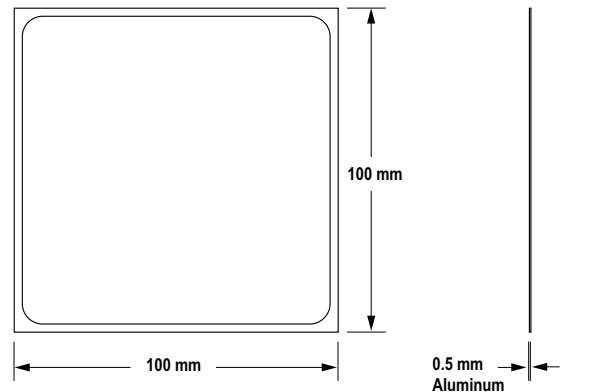
BRT-92X92CB

Description: Square, acrylic target with black mounting base
Reflectivity Factor: 3.0
Max. Temperature: 50° C
Other: Optional brackets are available. See page 620.



BRT-4HT

Description: Square, aluminum target
Reflectivity Factor: 0.15
Max. Temperature: 480° C
Other: This target is not recommended for polarized retroflective sensors.



More on next page