



# 15A 125V & 250V; 20A 125V & 250V

LEVITON®

## Commercial Grade



NEMA 5-15R



NEMA 5-20R



NEMA 6-15R



NEMA 6-20R

**2 YEAR LIMITED WARRANTY**

ELECTRICAL		
DIELECTRIC VOLTAGE	CURRENT INTERR.	TEMP. RISE
Withstands 2000V per UL 498	Full rated current	30°C max at full rated current after 100 cycles overload at 150% rated current for both AC and DC per UL 498

MECHANICAL		
TERMINAL I.D.	TERMINAL ACCOMM.	PRODUCT I.D.
Brass, hot Grounding White, neutral	#14 - #10 AWG	Ratings are permanently marked on device
ENVIRONMENTAL		
<b>FLAMMABILITY</b>		<b>OPERATING TEMP.</b>
Rated V-2 per UL 94		-40°C to 60°C

STANDARDS & CERTIFICATIONS					
NEMA WD6	ANSI C-73	UL 498	UL Fed Spec WC-596	CSA C22.2 No. 42	NOM
✓	✓	#E13399	—	#152105	#057
AC HORSEPOWER RATINGS					
15A 125V	15A 250V	20A 125V	20A 250V		
.5	1.5	1.0	2.0		

### Back & Side Wired, Self-Grounding



BR15-I



5088-A



5098



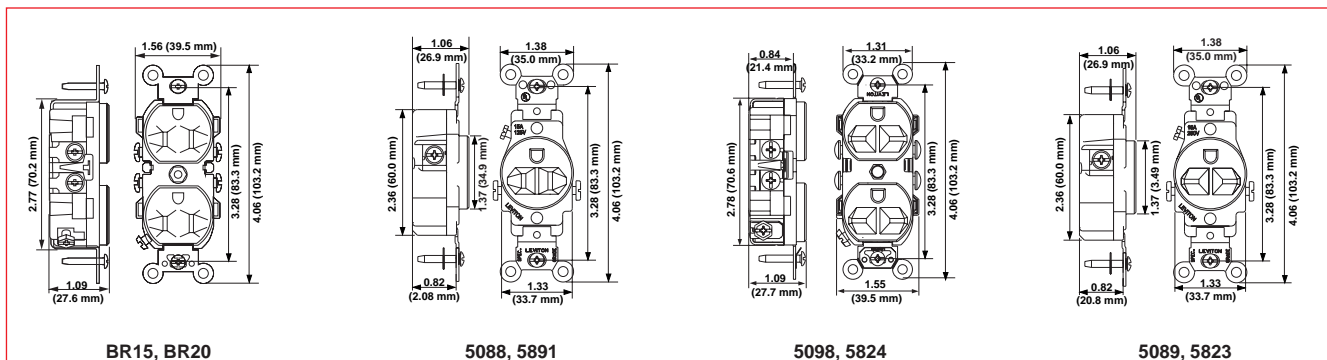
5089-I

FACE COLOR	DUPLEX RECEPTACLE	SINGLE RECEPTACLE
<b>15A 125V, NEMA 5-15R, 2-P 3-W, Grounding</b>		
Brown	BR15	5088
Ivory	BR15-I	5088-I
White	BR15-W	—
Gray	BR15-GY	—
Almond	BR15-A	5088-A
Black	BR15-E	—
<b>20A 125V, NEMA 5-20R, 2-P 3-W, Grounding</b>		
Brown	BR20	5891
Ivory	BR20-I	—
White	BR20-W	5891-W
Gray	BR20-GY	—
Almond	BR20-A	—
Black	BR20-E	—

DUPLEX RECEPTACLE	SINGLE RECEPTACLE
<b>15A 250V, NEMA 6-15R, 2-P 3-W, Grounding</b>	
5098	5089
5098-I	5089-I
—	—
—	—
—	—
—	—
<b>20A 250V, NEMA 6-20R, 2-P 3-W, Grounding</b>	
5824	5823
5824-I	5823-I
—	—
—	—
—	—
—	—

NYLON WALLPLATES				302 STAINLESS STEEL WALLPLATES			
80703-I	80704-GY	80716-I	80730	84003-40	84004-40	84016-40	84030-40

FOR ADDITIONAL WALLPLATE OPTIONS SEE SECTION Q



Commercial Grade Straight Blade Receptacles

B

17