

Features

- 2-channel isolated barrier
- 24 V DC supply (Power Rail)
- Dry contact or NAMUR inputs
- Relay contact output
- Line fault detection (LFD)
- Reversible mode of operation
- Up to SIL2 acc. to IEC 61508

Function

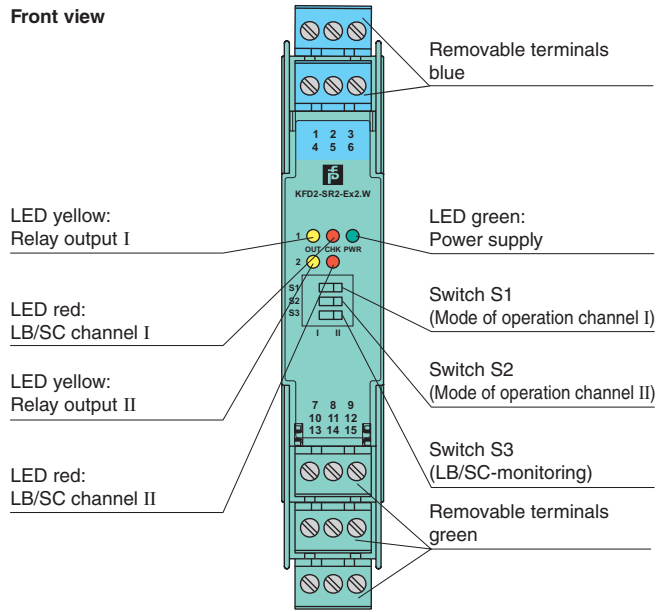
This isolated barrier is used for intrinsic safety applications. It transfers digital signals (NAMUR sensors/mechanical contacts) from a hazardous area to a safe area.

The proximity sensor or switch controls a form C changeover relay contact for the safe area load. The normal output state can be reversed using switches S1 and S2. Switch S3 is used to enable or disable line fault detection of the field circuit.

During an error condition, the relays revert to their de-energized state and the LEDs indicate the fault according to NAMUR NE44.

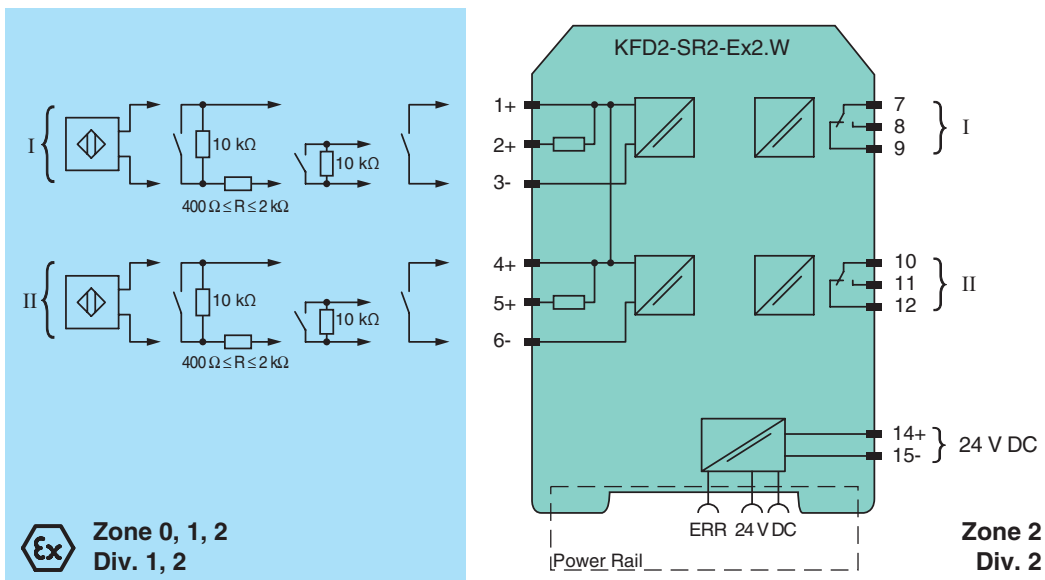
A unique collective error messaging feature is available when used with the Power Rail system.

Assembly



SIL2

Connection



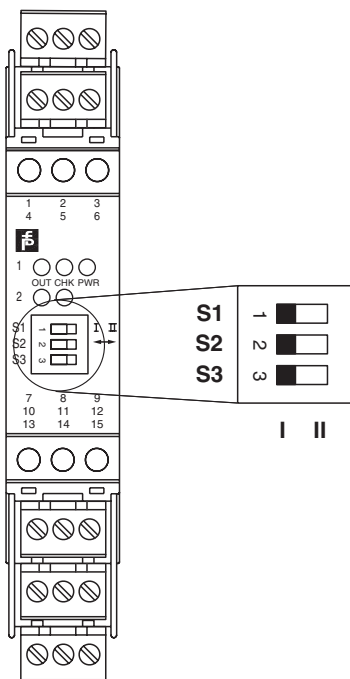
Release date 2010-02-02 14:14 Date of issue 2010-05-11 132960_ENG.xml

General specifications		
Signal type		Digital input
Supply		
Connection		Power Rail or terminals 14+, 15-
Rated voltage		20 ... 30 V DC
Ripple		≤ 10 %
Rated current		≤ 50 mA
Power loss		1 W
Power consumption		< 1.3 W
Input		
Connection		terminals 1+, 2+, 3-; 4+, 5+, 6-
Rated values		acc. to EN 60947-5-6 (NAMUR)
Open circuit voltage/short-circuit current		approx. 8 V DC / approx. 8 mA
Switching point/switching hysteresis		1.2 ... 2.1 mA / approx. 0.2 mA
Line fault detection		breakage I ≤ 0.1 mA , short-circuit I > 6 mA
Pulse/Pause ratio		≥ 20 ms / ≥ 20 ms
Output		
Connection		output I: terminals 7, 8, 9 ; output II: terminals 10, 11, 12
Output I, II		signal, relay
Minimum switch current		2 mA / 24 V DC
Energized/De-energized delay		approx. 20 ms / approx. 20 ms
Mechanical life		10 ⁷ switching cycles
Transfer characteristics		
Switching frequency		≤ 10 Hz
Electrical isolation		
Output/power supply		reinforced insulation according to IEC 61140, rated insulation voltage 300 V _{eff}
Output/Output		reinforced insulation according to IEC 61140, rated insulation voltage 300 V _{eff}
Directive conformity		
Electromagnetic compatibility		
Directive 2004/108/EC		EN 61326-1:2006
Low voltage		
Directive 2006/95/EC		EN 50178:1997
Conformity		
Electromagnetic compatibility		NE 21
Protection degree		IEC 60529
Protection against electric shock		IEC 61140
Ambient conditions		
Ambient temperature		-20 ... 60 °C (-4 ... 140 °F)
Mechanical specifications		
Protection degree		IP20
Mass		approx. 150 g
Dimensions		20 x 119 x 115 mm (0.8 x 4.7 x 4.5 in) , housing type B2
Data for application in connection with Ex-areas		
EC-Type Examination Certificate		PTB 00 ATEX 2080 , for additional certificates see www.pepperl-fuchs.com
Group, category, type of protection		⊕ II (1)GD [EEEx ia] IIC [circuit(s) in zone 0/1/2]
Input		EEEx ia IIC
Voltage U _o		10.5 V
Current I _o		13 mA
Power P _o		34 mW (linear characteristic)
Supply		
Maximum safe voltage U _m		253 V AC / 125 V DC (Attention! U _m is no rated voltage.)
Output		
Contact loading		253 V AC/2 A/cos φ > 0.7; 126.5 V AC/4 A/cos φ > 0.7; 40 V DC/2 A resistive load
Maximum safe voltage U _m		253 V AC (Attention! The rated voltage can be lower.)
Statement of conformity		Pepperl+Fuchs
Group, category, type of protection		⊕ II (3)G [Ex ic] IIC; [Ex nL] IIC
Input		[Ex ic] IIC; [Ex nL] IIC
Voltage U _o		10.5 V
Current I _o		13 mA
Power P _o		34 mW (linear characteristic)
Output		
Contact loading		253 V AC/2 A/cos φ > 0.7; 126.5 V AC/4 A/cos φ > 0.7; 40 V DC/2 A resistive load
Statement of conformity		TÜV 99 ATEX 1493 X , observe statement of conformity

Release date 2010-02-02 14:14 Date of issue 2010-05-11 132960_ENG.xml

Group, category, type of protection, temperature classification	⊕ II 3G Ex nA nC IIC T4
Output	
Contact loading	50 V AC/4 A/cos φ > 0.7; 40 V DC/2 A resistive load
Electrical isolation	
Input/Output	safe galvanic isolation acc. to EN 50020, voltage peak value 375 V
Input/power supply	safe galvanic isolation acc. to EN 50020, voltage peak value 375 V
Directive conformity	
Directive 94/9/EC	EN 50014, EN 50020 , EN 60079-0:2006, EN 60079-15:2005
International approvals	
FM approval	
Control drawing	116-0035
CSA approval	
Control drawing	116-0047
General information	
Supplementary information	EC-Type Examination Certificate, Statement of Conformity, Declaration of Conformity, Attestation of Conformity and instructions have to be observed where applicable. For information see www.pepperl-fuchs.com .

Configuration



Switch position

S	Function		Position
1	Mode of operation Output I (relay) energized	with high input current	I
		with low input current	II
2	Mode of operation Output II (relay) energized	with high input current	I
		with low input current	II
3	Line fault detection	ON	I
		OFF	II

Operating status

Control circuit	Input signal
Initiator high impedance/ contact opened	low input current
Initiator low impedance/ contact closed	high input current
Lead breakage, lead short-circuit	Line fault

Factory settings: switch 1, 2 and 3 in position I

Accessories

Power feed modules KFD2-EB2...

The power feed module is used to supply the devices with 24 V DC via the Power Rail. The fuse-protected power feed module can supply up to 100 individual devices depending on the power consumption of the devices. A galvanically isolated mechanical contact uses the Power Rail to transmit collective error messages.

Power Rail UPR-03

The Power Rail UPR-03 is a complete unit consisting of the electrical inset and an aluminium profile rail 35 mm x 15 mm. To make electrical contact, the devices are simply engaged.

The Power Rail must not be fed via the device terminals of the individual devices!

Release date 2010-02-02 14:14 Date of issue 2010-05-11 132960_ENG.xml