



**Properties**

- Miniature F79 housing
- 1.5 mm, flush mountable
- DC, 3-wire switching output
- Cable and pigtailed connector versions

**Technical Data**

For detailed data and product description refer to the data sheets at [www.pepperl-fuchs.com](http://www.pepperl-fuchs.com)

**General Data**

Rated operating distance	1.5 mm
Installation	flush
Operating voltage	5 ... 30 V DC
No-load supply current	≤ 15 mA
Switching frequency	0 ... 1200 Hz
Operating current	0 ... 100 mA
Short-circuit protection	pulsing
Ambient temperature	-25 ... 70 °C (-13 ... 158 °F)
Housing material	PA
Protection degree	IP67

**Model Number**

			NBB1,5-F79-E0	NBB1,5-F79-E1	NBB1,5-F79-E2	NBB1,5-F79-E3	NBB1,5-F79-E0-0,1M-V3	NBB1,5-F79-E1-0,1M-V3	NBB1,5-F79-E2-0,1M-V3	NBB1,5-F79-E3-0,1M-V3
Switching element function	green = preferred type		●		●		●			
	NPN NO		●				●			
	NPN NC			●				●		
	PNP NO				●				●	
Connection type	PNP NC					●				●
	cable PVC, 500 mm		●	●	●	●				
	Cable connector M8 x 1, 3-pin with PVC cable 100 mm						●	●	●	●

**Approvals and Certificates**

UL approval	cULus Listed, General Purpose	● ● ● ●
CSA approval	cCSAus Listed, General Purpose	● ● ● ●
CCC approval	Products with a maximum operating voltage of ≤36 V do not bear a CCC marking because they do not require approval.	

**Dimensions**

Length L [mm]	16
Width W [mm]	8
Height H [mm]	4
Cap length l <sub>1</sub> [mm]	0.7
Connector area l <sub>c</sub> [mm]	1.5

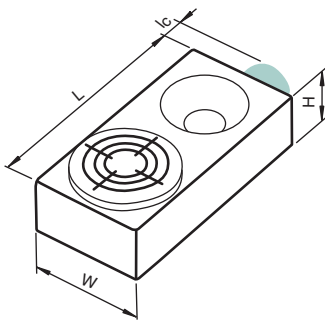
**Accessories**

This and more accessories can be found in chapter 10

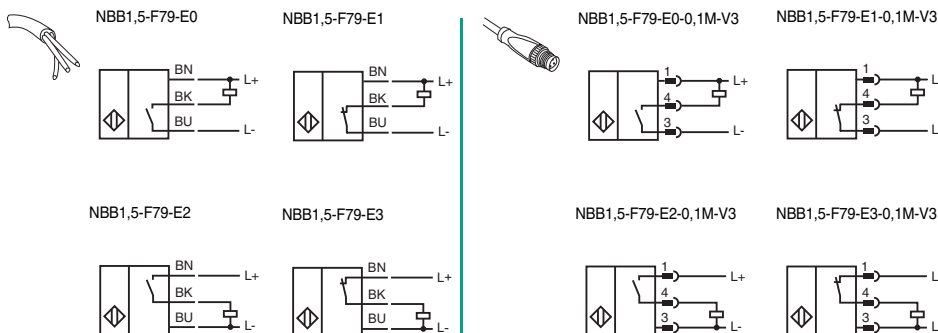
See pages from 972 ... for cordsets

See pages 1068 ... for mounting aids

- V3-WM** Female connector, M8, 3-pin, field attachable
- V3-GM** Female connector, M8, 3-pin, field attachable
- V3-GM-2M-PUR** Cable socket, M8, 3-pin, PUR cable
- V3-GM-2M-PUR** Cable socket, M8, 3-pin, PUR cable



**Electrical Connection**



Wire colors in accordance with EN 60947-5-2

- 1 | BN (brown)
- 3 | BU (blue)
- 4 | BK (black)

Date of issue 04/08/2015

Refer to "General Notes Relating to Pepperl+Fuchs Product Information".

Pepperl+Fuchs Group  
www.pepperl-fuchs.com

USA: +1 330 486 0001  
fa-info@us.pepperl-fuchs.com

Germany: +49 621 776 4411  
fa-info@de.pepperl-fuchs.com  
Courtesy of Steven Engineering, Inc - (800) 258-9200 - sales@steveng.com - www.stevenengineering.com

Singapore: +65 6779 9091  
fa-info@sg.pepperl-fuchs.com

**PEPPERL+FUCHS**  
SENSING YOUR NEEDS

