

1  
.1.1



Proximity Sensors, Inductive Sensors, cylindrical



### Properties

- Ø18 mm housing
- Up to 8 mm, flush and non-flush mountable versions
- AC, 2-wire switching output
- Cable version

### Technical Data

For detailed data and product description refer to the data sheets at [www.pepperl-fuchs.com](http://www.pepperl-fuchs.com)

#### General Data

Type of voltage	AC
Operating voltage	20 ... 253 V
Reverse polarity protection	tolerant
Switching frequency	0 ... 20 Hz
Operating current	5 ... 200 mA
Operating voltage display	LED, green
Indication of the switching state	LED, yellow
Ambient temperature	-25 ... 70 °C (-13 ... 158 °F)
Housing material	brass, nickel-plated
Protection degree	IP67
Connection type	cable PVC , 2 m

#### Model Number

			●	●	●	●
Rated operating distance	5 mm	8 mm	●	●	●	●
Installation	flush	non-flush	●	●	●	●
Switching element function	AC NO		●	●	●	●
	AC NC		●	●	●	●

#### Approvals and Certificates

UL approval	cULus Listed, General Purpose	●	●	●	●
CSA approval	cCSAus Listed, General Purpose	●	●	●	●
CCC approval	Certified by China Compulsory Certification (CCC)	●	●	●	●

#### Dimensions

Length L [mm]				60
Diameter D [mm]				18
Thread length l <sub>t</sub> [mm]		60		50
Cap length l <sub>1</sub> [mm]		0		10
Connector area l <sub>c</sub> [mm]				0
LED position				Pos. C

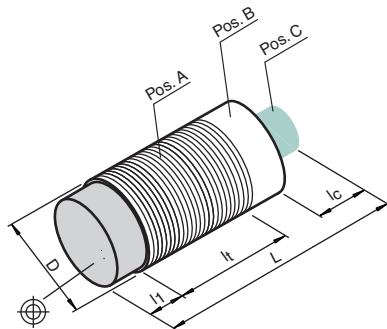
### Accessories

This and more accessories can be found in chapter 10

See pages from 972 ... for cordsets

See pages 1068 ... for mounting aids

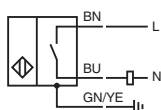
- BF 18** Mounting flange, 18 mm
- EXG-18** Quick mounting bracket with dead stop



### Electrical Connection



NBN8-18GM60-WS  
NBB5-18GM60-WS



NBN8-18GM60-WO  
NBB5-18GM60-WO

