



Properties

- Ø12 mm housing
- 6 mm, virtually flush mountable
- DC, 3-wire switching output
- Cable and connector versions

Technical Data

For detailed data and product description refer to the data sheets at www.pepperl-fuchs.com

General Data

Rated operating distance	6 mm
Installation	virtually flush
Type of voltage	DC
Operating voltage	10 ... 30 V DC
No-load supply current	≤ 15 mA
Reverse polarity protection	✓
Switching frequency	0 ... 800 Hz
Operating current	0 ... 200 mA, above 70°C ≤ 150 mA
Short-circuit protection	pulsing
Indication of the switching state	LED, yellow
Ambient temperature	-25 ... 85 °C (-13 ... 185 °F)
Housing material	brass, nickel-plated
Protection degree	IP67

Model Number

Switching element function	green = preferred type		NEB6-12GM50-E0	NEB6-12GM50-E1	NEB6-12GM50-E2	NEB6-12GM50-E3	NEB6-12GM50-E0-V1	NEB6-12GM50-E1-V1	NEB6-12GM50-E2-V1	NEB6-12GM50-E3-V1
	NPN NO		●					●		
NPN NC			●					●		
PNP NO				●					●	
PNP NC					●					●
Connection type	Device connector M12 x 1, 4-pin						●	●	●	●
	cable PUR, 2 m		●	●	●					

Approvals and Certificates

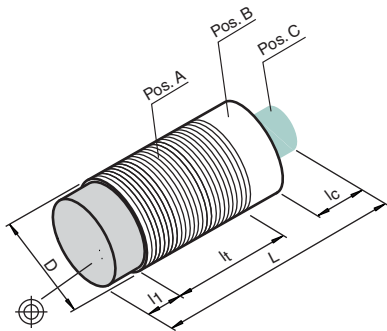
UL approval	cULus Listed, General Purpose	●	●	●	●	●	●	●	●	●
CCC approval	Products with a maximum operating voltage of ≤36 V do not bear a CCC marking because they do not require approval.									

Dimensions

Length L [mm]	50	60
Diameter D [mm]		12
Thread length l _t [mm]	49	40
Cap length l ₁ [mm]		0
Connector area l _c [mm]	0	6
LED position		Pos. A

Accessories This and more accessories can be found in chapter 10

BF 12	Mounting flange, 12 mm	See pages from 972 ... for cordsets	See pages 1068 ... for mounting aids
V1-G-BK	4-pin, M12 female field-attachable connector		
V1-W-BK	4-pin, M12 female field-attachable connector		
V1-G-2M-PUR	Cable socket, M12, 4-pin, PUR cable		
V1-W-2M-PUR	Cable socket, M12, 4-pin, PUR cable		



Electrical Connection

