

1
.1.3

Proximity Sensors, Inductive Sensors, slot types



Properties

- 2 mm slot width
- Extraordinary fast response
- DC, 2-wire NAMUR
- Flexible leads version

Your Benefit

- Usable up to SIL 2 acc. to IEC 61508
- ATEX approval up to zone 0 / zone 20

Technical Data

For detailed data and product description refer to the data sheets at www.pepperl-fuchs.com

General Data

Slot width	2 mm
Switching element function	NAMUR, NC
Depth of immersion (lateral)	5 ... 7 mm , typ. 6 mm
Nominal voltage	8.2 V (R _i approx. 1 kΩ)
Operating voltage	5 ... 25 V
Current consumption	
Measuring plate not detected	≥ 3 mA
Measuring plate detected	≤ 1 mA
Switching frequency	0 ... 5000 Hz
Ambient temperature	-25 ... 100 °C (-13 ... 212 °F)
Housing material	PBT
Protection degree	IP67

Model Number

	green = preferred type		
Suitable for 2:1 technology	✓ , Reverse polarity protection diode not required	SJ2-N	SC2-NO-GN
Indication of the switching state	LED, yellow		
Connection type	cable PVC , 500 mm flexible leads LIFYW , 500 mm		

Use in the Hazardous Area

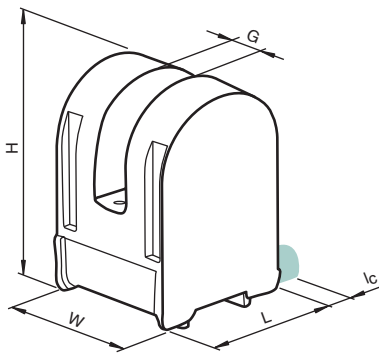
Use in the hazardous area	see instruction manuals		
Category	1G; 2G; 1D		
	1G; 2G; 3G; 1D		

Approvals and Certificates

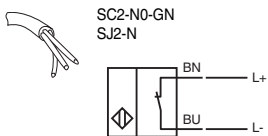
Control drawing	116-0165F		
UL approval	cULus Listed, General Purpose		
CSA approval	cCSAus Listed, General Purpose		
CCC approval	Products with a maximum operating voltage of ≤36 V do not bear a CCC marking because they do not require approval.		

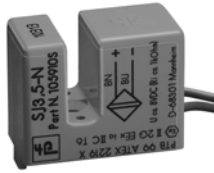
Dimensions

Length L [mm]	8	15
Width W [mm]		8
Height H [mm]		12
Slot width G [mm]		2
Connector area l _c [mm]		0



Electrical Connection





Properties

- 3.5 mm slot width
- Very fast response
- DC, 2-wire NAMUR
- Flexible leads version

Your Benefit

- Usable up to SIL 2 acc. to IEC 61508
- ATEX approval up to zone 0 / zone 20

Technical Data

For detailed data and product description refer to the data sheets at www.pepperl-fuchs.com

General Data

Slot width	3.5 mm
Switching element function	NAMUR, NC
Depth of immersion (lateral)	5 ... 7 mm , typ. 6 mm
Nominal voltage	8.2 V (R _i approx. 1 kΩ)
Operating voltage	5 ... 25 V
Current consumption	
Measuring plate not detected	≥ 3 mA
Measuring plate detected	≤ 1 mA
Switching frequency	0 ... 3000 Hz
Ambient temperature	-25 ... 100 °C (-13 ... 212 °F)
Protection degree	IP67

Model Number

Suitable for 2:1 technology	green = preferred type ✓ , Reverse polarity protection diode not required ✓ , with reverse polarity protection diode	SJ3,5-N	SJ3,5-G-N	SJ3,5-N LED	SC3,5-G-N0	SC3,5-N0-GN	SC3,5-N0-BU
Switching hysteresis	0.11 ... 0.2 mm 0.21 ... 0.4 mm						
Indication of the switching state	LED, yellow						
Housing material	PBT						
Connection type	PBT/PPS flexible leads LIY , 500 mm flexible leads PVC , 135 mm flexible leads PVC , 500 mm						

Use in the Hazardous Area

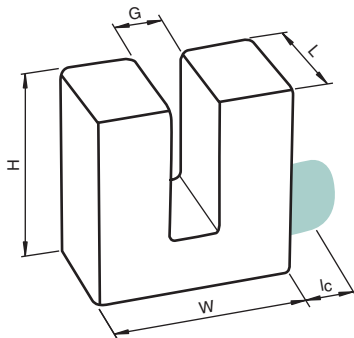
Use in the hazardous area	see instruction manuals						
Category	1G; 2G; 1D 1G; 2G; 3G; 1D 2G						

Approvals and Certificates

Control drawing	116-0165F						
UL approval	cULus Listed, General Purpose						
CSA approval	cCSAus Listed, General Purpose						
CCC approval	Products with a maximum operating voltage of ≤36 V do not bear a CCC marking because they do not require approval.						

Dimensions

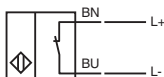
Length L [mm]		10
Width W [mm]		19 19.5
Height H [mm]		15
Slot width G [mm]		3.5
Connector area l _c [mm]		0



Electrical Connection



- SC3,5-G-N0
- SC3,5-N0-GN
- SC3,5-N0-BU
- SJ3,5-G-N
- SJ3,5-N
- SJ3,5-N LED



Date of issue 04/08/2015



1
.1.3



Properties

- 5 mm slot width
- Very fast response
- DC, 2-wire NAMUR
- Flexible leads and cable versions

Your Benefit

- Usable up to SIL 2 acc. to IEC 61508
- ATEX approval up to zone 0 / zone 20

Technical Data

For detailed data and product description refer to the data sheets at www.pepperl-fuchs.com

General Data

Slot width	5 mm
Switching element function	NAMUR, NC
Nominal voltage	8.2 V (R _i approx. 1 kΩ)
Operating voltage	5 ... 25 V
Current consumption	
Measuring plate not detected	≥ 3 mA
Measuring plate detected	≤ 1 mA
Switching frequency	0 ... 2000 Hz
Ambient temperature	-25 ... 100 °C (-13 ... 212 °F)
Housing material	PBT
Protection degree	IP67

Model Number

	SJ5-N	SJ5-G-N	SJ5-K-N
Depth of immersion (lateral)	●	●	●
Connection type	●	●	●

Use in the Hazardous Area

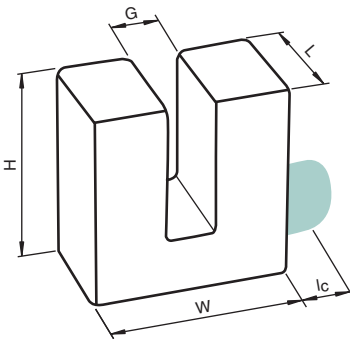
	SJ5-N	SJ5-G-N	SJ5-K-N
Use in the hazardous area	●	●	●
Category	●	●	●

Approvals and Certificates

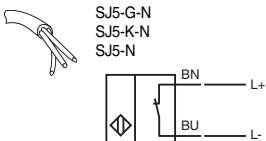
	SJ5-N	SJ5-G-N	SJ5-K-N
Control drawing	●	●	●
UL approval	●	●	●
CSA approval	●	●	●
CCC approval	Products with a maximum operating voltage of ≤36 V do not bear a CCC marking because they do not require approval.		

Dimensions

	SJ5-N	SJ5-G-N	SJ5-K-N
Length L [mm]	10		15
Width W [mm]	15		29
Height H [mm]	15		31
Slot width G [mm]		5	
Connector area l _c [mm]		0	



Electrical Connection



Date of issue: 04/08/2015



Technical Data

For detailed data and product description refer to the data sheets at www.pepperl-fuchs.com

General Data

Switching element function	NAMUR, NC
Nominal voltage	8.2 V (R _i approx. 1 kΩ)
Operating voltage	5 ... 25 V
Current consumption	
Measuring plate not detected	≥ 3 mA
Measuring plate detected	≤ 1 mA
Protection degree	IP67
Connection type	cable PVC , 2 m



Properties

- 10, 15 and 30 mm slot width versions
- Fast response
- DC, 2-wire NAMUR
- Cable version

Your Benefit

- Usable up to SIL 2 acc. to IEC 61508
- ATEX approval up to zone 0 / zone 20

Model Number

		SJ10-N	SJ15-N	SJ30-N
Slot width	10 mm	●		
	15 mm		●	
	30 mm			●
Depth of immersion (lateral)	13.5 ... 16.5 mm , typ. 15 mm	●		
	16 ... 19 mm , typ. 17.5 mm		●	
	27 ... 30 mm			●
Switching frequency	0 ... 1000 Hz	●	●	
	0 ... 150 Hz			●
Ambient temperature	-25 ... 100 °C (-13 ... 212 °F)	●		
	-25 ... 70 °C (-13 ... 158 °F)		●	●
Housing material	ABS			●
	PBT	●	●	

Use in the Hazardous Area

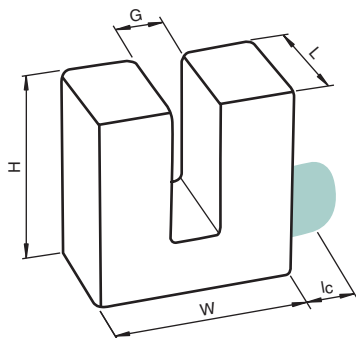
Use in the hazardous area	see instruction manuals	●	●	●
Category	1G; 2G; 1D	●	●	●

Approvals and Certificates

Control drawing	116-0165F	●	●	●
UL approval	cULus Listed, General Purpose	●	●	●
CSA approval	cCSAus Listed, General Purpose	●	●	●
CCC approval	Products with a maximum operating voltage of ≤36 V do not bear a CCC marking because they do not require approval.			

Dimensions

	25	30	51
Length L [mm]	44	48	84
Width W [mm]	45	60	110
Slot width G [mm]	10	15	30
Connector area l _c [mm]	6 (PG9)	0	35 (PG13.5)



Electrical Connection



SJ10-N
SJ15-N
SJ30-N

