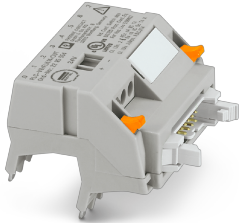



## System connection - PLC-V8/FLK14/OUT - 2295554

Please be informed that the data shown in this PDF Document is generated from our Online Catalog. Please find the complete data in the user's documentation. Our General Terms of Use for Downloads are valid (<http://phoenixcontact.com/download>)



V8 adapter for 8 x PLC-INTERFACE (6.2 mm), controller: PLC system cabling of output cards, connection 1: Screw connection 1x, connection 2: IDC/FLK pin strip 1x 14-position, connection 3: Plug connection (Can be snapped onto 8x PLC-INTERFACE terminals), number of channels: 8, control logic: plusschaltend

### Key Commercial Data

Packing unit	1 pc
GTIN	 4 017918 189143
GTIN	4017918189143
Weight per Piece (excluding packing)	42.400 g
Custom tariff number	85366990
Country of origin	Germany

### Technical data

#### Dimensions

Width	50 mm
Height	39 mm
Depth	56 mm

#### Ambient conditions

Ambient temperature (operation)	-40 °C ... 70 °C
Ambient temperature (storage/transport)	-40 °C ... 70 °C
Degree of protection	IP20

#### General

Max. permissible operating voltage	30 V DC
Nominal voltage $U_N$	24 V DC

## System connection - PLC-V8/FLK14/OUT - 2295554

### Technical data

#### General

Max. perm. current (per branch)	1 A (per signal path)
Max. permissible current (separate power supply)	3 A
Number of positions	14
Status display	Green LED
Mounting position	any

#### Connection data

Connection name	Supply
Connection in acc. with standard	IEC / EN
Connection method	Screw connection
Stripping length	8 mm
Screw thread	M3
Number of connections	1
Conductor cross section solid	0.2 mm <sup>2</sup> ... 4 mm <sup>2</sup>
Conductor cross section flexible	0.2 mm <sup>2</sup> ... 2.5 mm <sup>2</sup>
Conductor cross section AWG	24 ... 12

#### Connection data 2

Connection name	Controller level
Connection method	IDC/FLK pin strip
Number of connections	1
Number of positions	14
Pitch	2.54 mm

#### Connection data 3

Connection name	Field level
Connection method	Plug connection
Note	Can be snapped onto 8x PLC-INTERFACE terminals

#### Supported controller

Controller	SIEMENS S7-1500
- suitable I/O card	6ES7522-1BH00-0AB0
	6ES7522-1BH01-0AB0
	6ES7522-1BL00-0AB0
	6ES7522-1BL01-0AB0
Controller	SIEMENS S7-400
- suitable I/O card	6ES7422-1BL00-0AA0
	6ES7422-7BL00-0AB0
Controller	ALLEN-BRADLEY ControlLogix

## System connection - PLC-V8/FLK14/OUT - 2295554

### Technical data

#### Supported controller

- suitable I/O card	1756-OB32
	1756-OB16E
Controller	ALLEN-BRADLEY PLC 5
- suitable I/O card	1771 OBN
Controller	ALLEN-BRADLEY SLC 500
- suitable I/O card	1746 OB 32
Controller	HONEYWELL Experion PKS C200
- suitable I/O card	TC-ODD 321
Controller	MITSUBISHI MELSEC Q
- suitable I/O card	QY81P
	QY82P
Controller	SIEMENS S7-300 / ET 200 M
- suitable I/O card	CPU 313C-2DP
	CPU 314C-2DP
	CPU 314C-2PtP
	6ES7322-1BH01-0AA0
	6ES7322-1BL00-0AA0
	6ES7323-1BH01-0AA0
	6ES7323-1BL00-0AA0
	CPU 313C
	CPU 313C-2PtP
Controller	ABB S800 I/O
- suitable I/O card	DO810
	DO840
Controller	Emerson DeltaV
- suitable I/O card	VE4002S1T1B3
	VE4002S1T2B3
	VE4002S1T2B3 Series 2
	VE4002S1T2B6
Controller	GE-FANUC RX3i
- suitable I/O card	IC694MDL754
Controller	MITSUBISHI MELSEC L
- suitable I/O card	LY41PT1P
	LY42PT1P

#### Standards and Regulations

Connection in acc. with standard	CUL
Standards/regulations	IEC 60664

# System connection - PLC-V8/FLK14/OUT - 2295554

## Technical data

### Standards and Regulations

	DIN EN 50178
Rated insulation voltage	50 V
Rated surge voltage	0.5 kV (Functional insulation)
Pollution degree	2
Overvoltage category	II

### Conformance/approvals

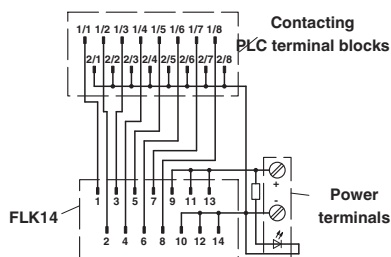
Designation	UL, USA/Canada
Identification	Class I, Div. 2, Groups A, B, C, D T4
Designation	UL, Canada
Identification	Class I, Zone 2, Ex nA IIC Gc T4 X
Designation	UL, USA
Identification	Class I, Zone 2, AEx nA IIC T4

### Environmental Product Compliance

China RoHS	Environmentally Friendly Use Period = 50 years
	For details about hazardous substances go to tab "Downloads", Category "Manufacturer's declaration"

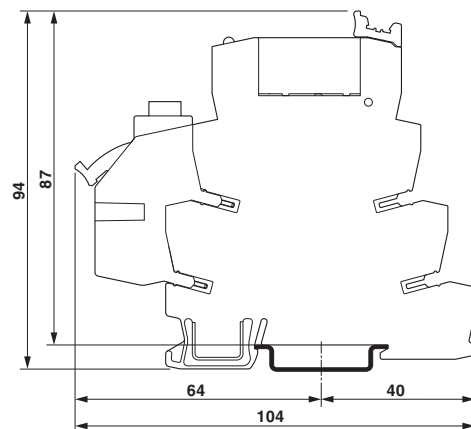
## Drawings

Circuit diagram



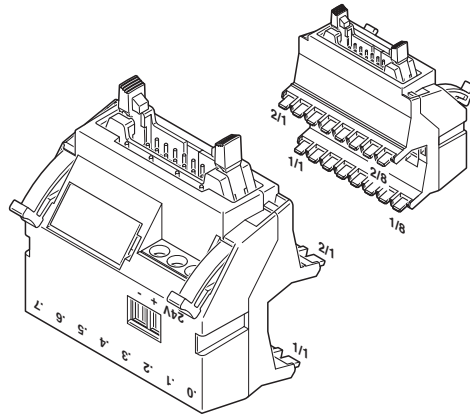
PLC-V8/FLK14/OUT connection scheme

Dimensional drawing



# System connection - PLC-V8/FLK14/OUT - 2295554

Schematic diagram



## Classifications

### eCl@ss

eCl@ss 10.0.1	27141152
eCl@ss 11.0	27141152
eCl@ss 4.0	27250300
eCl@ss 4.1	27250300
eCl@ss 5.0	27242700
eCl@ss 5.1	27242700
eCl@ss 6.0	27242200
eCl@ss 7.0	27141152
eCl@ss 9.0	27141152

### ETIM

ETIM 6.0	EC002780
ETIM 7.0	EC002780

### UNSPSC

UNSPSC 6.01	30211824
UNSPSC 7.0901	39121402
UNSPSC 11	39121402
UNSPSC 12.01	39121402
UNSPSC 13.2	39121432
UNSPSC 18.0	39121432
UNSPSC 19.0	39121432
UNSPSC 20.0	39121432

# System connection - PLC-V8/FLK14/OUT - 2295554

## Classifications

### UNSPSC

UNSPSC 21.0	39121432
-------------	----------

## Approvals

### Approvals

#### Approvals


PRS / UL Listed / UL Recognized / cUL Recognized / cUL Listed / DNV GL / cULus Recognized / cULus Listed

#### Ex Approvals

UL Listed / cUL Listed / cULus Listed


## Approval details

PRS		<a href="http://www.prs.pl/">http://www.prs.pl/</a>	TE/2109/880590/16
-----	---	---	-------------------

UL Listed		<a href="http://database.ul.com/cgi-bin/XYV/template/LISEXT/1FRAME/index.htm">http://database.ul.com/cgi-bin/XYV/template/LISEXT/1FRAME/index.htm</a>	FILE E 172140
-----------	---	---	---------------

UL Recognized		<a href="http://database.ul.com/cgi-bin/XYV/template/LISEXT/1FRAME/index.htm">http://database.ul.com/cgi-bin/XYV/template/LISEXT/1FRAME/index.htm</a>	FILE E 238705
---------------	---	---	---------------

Nominal voltage UN	24 V
Nominal current IN	1 A

cUL Recognized		<a href="http://database.ul.com/cgi-bin/XYV/template/LISEXT/1FRAME/index.htm">http://database.ul.com/cgi-bin/XYV/template/LISEXT/1FRAME/index.htm</a>	FILE E 238705
----------------	---	---	---------------

Nominal voltage UN	24 V
Nominal current IN	1 A

## System connection - PLC-V8/FLK14/OUT - 2295554

### Approvals

cUL Listed		<a href="http://database.ul.com/cgi-bin/XYV/template/LISEXT/1FRAME/index.htm">http://database.ul.com/cgi-bin/XYV/template/LISEXT/1FRAME/index.htm</a>	FILE E 172140
------------	--	---	---------------

DNV GL		<a href="https://approvalfinder.dnvgl.com/">https://approvalfinder.dnvgl.com/</a>	TAE0000196-03
--------	--	---	---------------

cULus Recognized			
------------------	--	--	--

cULus Listed			
--------------	--	--	--

### Accessories

#### Accessories

#### System cable

##### Cable - FLK 14/EZ-DR/ 30/KONFEK - 2295729



Round cable set; connection 1: IDC/FLK socket strip (1x 14-position); connection 2: IDC/FLK socket strip (1x 14-position); cable length: 0.3 m

##### Cable - FLK 14/EZ-DR/ 50/KONFEK - 2288901



Round cable set; connection 1: IDC/FLK socket strip (1x 14-position); connection 2: IDC/FLK socket strip (1x 14-position); cable length: 0.5 m

## System connection - PLC-V8/FLK14/OUT - 2295554

### Accessories

#### Cable - FLK 14/EZ-DR/ 100/KONFEK - 2288914



Round cable set; connection 1: IDC/FLK socket strip (1x 14-position); connection 2: IDC/FLK socket strip (1x 14-position); cable length: 1 m

---

#### Cable - FLK 14/EZ-DR/ 150/KONFEK - 2288927



Round cable set; connection 1: IDC/FLK socket strip (1x 14-position); connection 2: IDC/FLK socket strip (1x 14-position); cable length: 1.5 m

---

#### Cable - FLK 14/EZ-DR/ 200/KONFEK - 2288930



Round cable set; connection 1: IDC/FLK socket strip (1x 14-position); connection 2: IDC/FLK socket strip (1x 14-position); cable length: 2 m

---

#### Cable - FLK 14/EZ-DR/ 250/KONFEK - 2288943



Round cable set; connection 1: IDC/FLK socket strip (1x 14-position); connection 2: IDC/FLK socket strip (1x 14-position); cable length: 2.5 m

---

#### Cable - FLK 14/EZ-DR/ 300/KONFEK - 2288956



Round cable set; connection 1: IDC/FLK socket strip (1x 14-position); connection 2: IDC/FLK socket strip (1x 14-position); cable length: 3 m

---



## System connection - PLC-V8/FLK14/OUT - 2295554

### Accessories

#### Cable - FLK 14/EZ-DR/ 350/KONFEK - 2288969



Round cable set; connection 1: IDC/FLK socket strip (1x 14-position); connection 2: IDC/FLK socket strip (1x 14-position); cable length: 3.5 m

---

#### Cable - FLK 14/EZ-DR/ 400/KONFEK - 2288972



Round cable set; connection 1: IDC/FLK socket strip (1x 14-position); connection 2: IDC/FLK socket strip (1x 14-position); cable length: 4 m

---

#### Cable - FLK 14/EZ-DR/ 450/KONFEK - 2290847



Round cable set; connection 1: IDC/FLK socket strip (1x 14-position); connection 2: IDC/FLK socket strip (1x 14-position); cable length: 4.5 m

---

#### Cable - FLK 14/EZ-DR/ 500/KONFEK - 2290834



Round cable set; connection 1: IDC/FLK socket strip (1x 14-position); connection 2: IDC/FLK socket strip (1x 14-position); cable length: 5 m

---

#### Cable - FLK 14/EZ-DR/ 550/KONFEK - 2290850



Round cable set; connection 1: IDC/FLK socket strip (1x 14-position); connection 2: IDC/FLK socket strip (1x 14-position); cable length: 5.5 m

---

## System connection - PLC-V8/FLK14/OUT - 2295554

### Accessories

#### Cable - FLK 14/EZ-DR/ 600/KONFEK - 2290863



Round cable set; connection 1: IDC/FLK socket strip (1x 14-position); connection 2: IDC/FLK socket strip (1x 14-position); cable length: 6 m

---

#### Cable - FLK 14/EZ-DR/ 800/KONFEK - 2299563



Round cable set; connection 1: IDC/FLK socket strip (1x 14-position); connection 2: IDC/FLK socket strip (1x 14-position); cable length: 8 m

---

#### Cable - FLK 14/EZ-DR/1000/KONFEK - 2299576



Round cable set; connection 1: IDC/FLK socket strip (1x 14-position); connection 2: IDC/FLK socket strip (1x 14-position); cable length: 10 m

---

#### Cable - FLK 14/EZ-DR/HF/ 50/KONFEK - 2305952



Assembled, halogen-free round cable; connection 1: IDC/FLK socket strip (1x 14-position); connection 2: IDC/FLK socket strip (1x 14-position); cable length: 0.5 m

---

#### Cable - FLK 14/EZ-DR/HF/ 100/KONFEK - 2305965



Assembled, halogen-free round cable; connection 1: IDC/FLK socket strip (1x 14-position); connection 2: IDC/FLK socket strip (1x 14-position); cable length: 1 m

---

## System connection - PLC-V8/FLK14/OUT - 2295554

### Accessories

Cable - FLK 14/EZ-DR/HF/ 150/KONFEK - 2305978



Assembled, halogen-free round cable; connection 1: IDC/FLK socket strip (1x 14-position); connection 2: IDC/FLK socket strip (1x 14-position); cable length: 1.5 m

---

Cable - FLK 14/EZ-DR/HF/ 200/KONFEK - 2305981



Assembled, halogen-free round cable; connection 1: IDC/FLK socket strip (1x 14-position); connection 2: IDC/FLK socket strip (1x 14-position); cable length: 2 m

---

Cable - FLK 14/EZ-DR/HF/ 250/KONFEK - 2305994



Assembled, halogen-free round cable; connection 1: IDC/FLK socket strip (1x 14-position); connection 2: IDC/FLK socket strip (1x 14-position); cable length: 2.5 m

---

Cable - FLK 14/EZ-DR/HF/ 300/KONFEK - 2304759



Assembled, halogen-free round cable; connection 1: IDC/FLK socket strip (1x 14-position); connection 2: IDC/FLK socket strip (1x 14-position); cable length: 3 m

---

Cable - FLK 14/EZ-DR/HF/ 400/KONFEK - 2304762



Assembled, halogen-free round cable; connection 1: IDC/FLK socket strip (1x 14-position); connection 2: IDC/FLK socket strip (1x 14-position); cable length: 4 m

---

## System connection - PLC-V8/FLK14/OUT - 2295554

### Accessories

#### Cable - FLK 14/EZ-DR/HF/ 500/KONFEK - 2304717



Assembled, halogen-free round cable; connection 1: IDC/FLK socket strip (1x 14-position); connection 2: IDC/FLK socket strip (1x 14-position); cable length: 5 m

---

#### Cable - FLK 14/EZ-DR/HF/ 600/KONFEK - 2306003



Assembled, halogen-free round cable; connection 1: IDC/FLK socket strip (1x 14-position); connection 2: IDC/FLK socket strip (1x 14-position); cable length: 6 m

---

#### Cable - FLK 14-EZ-DR-HF/... - 2314040



Assembled, halogen-free round cable; connection 1: IDC/FLK socket strip (1x 14-position); connection 2: IDC/FLK socket strip (1x 14-position); cable length: variable

---

#### Cable - FLK 14/EZ-DR/ 50/KONFEK/S - 2296977



Assembled shielded round cable; connection 1: IDC/FLK socket strip (1x 14-position); connection 2: IDC/FLK socket strip (1x 14-position) (The braided shield is routed to a separate cable end.); cable length: 0.5 m

---

#### Cable - FLK 14/EZ-DR/ 60/KONFEK/S - 2299068



Assembled shielded round cable; connection 1: IDC/FLK socket strip (1x 14-position); connection 2: IDC/FLK socket strip (1x 14-position) (The braided shield is routed to a separate cable end.); cable length: 0.6 m

---

## System connection - PLC-V8/FLK14/OUT - 2295554

### Accessories

Cable - FLK 14/EZ-DR/ 100/KONFEK/S - 2296980



Assembled shielded round cable; connection 1: IDC/FLK socket strip (1x 14-position); connection 2: IDC/FLK socket strip (1x 14-position) (The braided shield is routed to a separate cable end.); cable length: 1 m

Cable - FLK 14/EZ-DR/ 120/KONFEK/S - 2299071



Assembled shielded round cable; connection 1: IDC/FLK socket strip (1x 14-position); connection 2: IDC/FLK socket strip (1x 14-position) (The braided shield is routed to a separate cable end.); cable length: 1.2 m

Cable - FLK 14/EZ-DR/ 150/KONFEK/S - 2296993



Assembled shielded round cable; connection 1: IDC/FLK socket strip (1x 14-position); connection 2: IDC/FLK socket strip (1x 14-position) (The braided shield is routed to a separate cable end.); cable length: 1.5 m

Cable - FLK 14/EZ-DR/ 180/KONFEK/S - 2299084



Assembled shielded round cable; connection 1: IDC/FLK socket strip (1x 14-position); connection 2: IDC/FLK socket strip (1x 14-position) (The braided shield is routed to a separate cable end.); cable length: 1.8 m

Cable - FLK 14/EZ-DR/ 200/KONFEK/S - 2297002



Assembled shielded round cable; connection 1: IDC/FLK socket strip (1x 14-position); connection 2: IDC/FLK socket strip (1x 14-position) (The braided shield is routed to a separate cable end.); cable length: 2 m

## System connection - PLC-V8/FLK14/OUT - 2295554

### Accessories

#### Cable - FLK 14/EZ-DR/ 300/KONFEK/S - 2299013



Assembled shielded round cable; connection 1: IDC/FLK socket strip (1x 14-position); connection 2: IDC/FLK socket strip (1x 14-position) (The braided shield is routed to a separate cable end.); cable length: 3 m

---

#### Cable - FLK 14/EZ-DR/ 400/KONFEK/S - 2299026



Assembled shielded round cable; connection 1: IDC/FLK socket strip (1x 14-position); connection 2: IDC/FLK socket strip (1x 14-position) (The braided shield is routed to a separate cable end.); cable length: 4 m

---

#### Cable - FLK 14/EZ-DR/ 600/KONFEK/S - 2299039



Assembled shielded round cable; connection 1: IDC/FLK socket strip (1x 14-position); connection 2: IDC/FLK socket strip (1x 14-position) (The braided shield is routed to a separate cable end.); cable length: 6 m

---

#### Cable - FLK 14/EZ-DR/ 800/KONFEK/S - 2299042



Assembled shielded round cable; connection 1: IDC/FLK socket strip (1x 14-position); connection 2: IDC/FLK socket strip (1x 14-position) (The braided shield is routed to a separate cable end.); cable length: 8 m

---

#### Cable - FLK 14/EZ-DR/1000/KONFEK/S - 2299055



Assembled shielded round cable; connection 1: IDC/FLK socket strip (1x 14-position); connection 2: IDC/FLK socket strip (1x 14-position) (The braided shield is routed to a separate cable end.); cable length: 10 m

---

## System connection - PLC-V8/FLK14/OUT - 2295554

### Accessories

Cable - FLK 50/4X14/EZ-DR/ 50/KONFEK - 2296689



Round cable set; connection 1: IDC/FLK socket strip (1x 50-position); connection 2: IDC/FLK socket strip (4x 14-position); cable length: 0.5 m

---

Cable - FLK 50/4X14/EZ-DR/ 100/KONFEK - 2296692



Round cable set; connection 1: IDC/FLK socket strip (1x 50-position); connection 2: IDC/FLK socket strip (4x 14-position); cable length: 1 m

---

Cable - FLK 50/4X14/EZ-DR/ 150/KONFEK - 2296702



Round cable set; connection 1: IDC/FLK socket strip (1x 50-position); connection 2: IDC/FLK socket strip (4x 14-position); cable length: 1.5 m

---

Cable - FLK 50/4X14/EZ-DR/ 200/KONFEK - 2296715



Round cable set; connection 1: IDC/FLK socket strip (1x 50-position); connection 2: IDC/FLK socket strip (4x 14-position); cable length: 2 m

---

Cable - FLK 50/4X14/EZ-DR/ 250/KONFEK - 2305402



Round cable set; connection 1: IDC/FLK socket strip (1x 50-position); connection 2: IDC/FLK socket strip (4x 14-position); cable length: 2.5 m

---

## System connection - PLC-V8/FLK14/OUT - 2295554

### Accessories

Cable - FLK 50/4X14/EZ-DR/ 300/KONFEK - 2296728



Round cable set; connection 1: IDC/FLK socket strip (1x 50-position); connection 2: IDC/FLK socket strip (4x 14-position); cable length: 3 m

---

Cable - FLK 50/4X14/EZ-DR/ 400/KONFEK - 2296731



Round cable set; connection 1: IDC/FLK socket strip (1x 50-position); connection 2: IDC/FLK socket strip (4x 14-position); cable length: 4 m

---

Cable - FLK 50/4X14/EZ-DR/ 600/KONFEK - 2296744



Round cable set; connection 1: IDC/FLK socket strip (1x 50-position); connection 2: IDC/FLK socket strip (4x 14-position); cable length: 6 m

---

Cable - FLK 50/4X14/EZ-DR/1000/KONFEK - 2296773



Round cable set; connection 1: IDC/FLK socket strip (1x 50-position); connection 2: IDC/FLK socket strip (4x 14-position); cable length: 10 m

---

Cable - FLK 50-4X14-EZ-DR ... - 2302405



Round cable set; connection 1: IDC/FLK socket strip (1x 50-position); connection 2: IDC/FLK socket strip (4x 14-position); cable length: variable

---



## System connection - PLC-V8/FLK14/OUT - 2295554

### Accessories

Cable - FLK 50-4X14-EZ-DR-S ... - 2302447



Assembled shielded round cable; connection 1: IDC/FLK socket strip (1x 50-position); connection 2: IDC/FLK socket strip (4x 14-position) (The braided shield is routed to four separate cable ends.); cable length: variable

---

### Necessary add-on products

Relay Module - PLC-RPT- 24DC/21 - 2900299



PLC-INTERFACE, consisting of PLC-BPT.../21 basic terminal block with Push-in connection and plug-in miniature relay with power contact, for mounting on NS 35/7,5 DIN rail, 1 changeover contact, input voltage 24 V DC

---

Relay Module - PLC-RSC- 24DC/21 - 2966171



PLC-INTERFACE, consisting of basic terminal block PLC-BSC.../21 with screw connection and plug-in miniature relay with power contact, for assembly on DIN rail NS 35/7,5, 1 changeover contact, input voltage 24 V DC

---

Relay Module - PLC-RPT- 24DC/21AU - 2900306



PLC-INTERFACE, consisting of PLC-BPT.../21 basic terminal block with Push-in connection and plug-in miniature relay with multi-layer gold contact, for mounting on DIN rail NS 35/7,5, 1 changeover contact, input voltage 24 V DC

---

Relay Module - PLC-RSC- 24DC/21AU - 2966265



PLC-INTERFACE, consisting of PLC-BSC.../21 basic terminal block with screw connection and plug-in miniature relay with multi-layer gold contact, for mounting on DIN rail NS 35/7,5, 1 changeover contact, input voltage 24 V DC

## System connection - PLC-V8/FLK14/OUT - 2295554

### Accessories

#### Relay Module - PLC-RPT- 24UC/21AU - 2900307



PLC-INTERFACE, consisting of PLC-BPT.../21 basic terminal block with Push-in connection and plug-in miniature relay with multi-layer gold contact, for mounting on DIN rail NS 35/7,5, 1 changeover contact, input voltage 24 V AC/DC

---

#### Relay Module - PLC-RSC- 24UC/21AU - 2966278



PLC-INTERFACE, consisting of PLC-BSC.../21 basic terminal block with screw connection and plug-in miniature relay with multi-layer gold contact, for mounting on DIN rail NS 35/7,5, 1 changeover contact, input voltage 24 V AC/DC

---

#### Switch - PLC-RPT- 24UC/ 1/S/H - 2900328



PLC-INTERFACE with switch (operation by hand) and integrated power contact relay for the "Manual, Zero and Automatic" functions, with push-in connection, for mounting on DIN rail NS 35/7.5, one N/O contact, input voltage 24 V AC/DC

---

#### Switch - PLC-RSC- 24UC/ 1/S/H - 2982236



PLC-INTERFACE with switch (operation by hand) for the "Manual, Zero, and Automatic" functions, with screw connection and integrated power contact relay, for mounting on DIN rail NS 35/7,5, 1 N/O contact, input voltage 24 V AC/DC

---

#### Solid-state relay module - PLC-OPT- 24DC/ 24DC/2 - 2900364



PLC-INTERFACE, consisting of PLC-BPT.../21 basic terminal block with push-in connection and plug-in miniature solid-state relay, for mounting on DIN rail NS 35/7,5, 1 N/O contact, input: 24 V DC, output: 3 - 33 V DC/3 A

---

## System connection - PLC-V8/FLK14/OUT - 2295554

### Accessories

Solid-state relay module - PLC-OSC- 24DC/ 24DC/ 2 - 2966634



PLC-INTERFACE, consisting of PLC-BSC.../21 basic terminal block with screw connection and plug-in miniature solid-state relay, for mounting on DIN rail NS 35/7,5, 1 N/O contact, input: 24 V DC, output: 3 - 33 V DC/3 A

---

Solid-state relay module - PLC-OPT- 24DC/ 24DC/10/R - 2900398



PLC-INTERFACE with confirmation contact, consisting of basic terminal block with push-in connection and integrated miniature solid-state relay, for mounting on DIN rail NS 35/7,5, 1 N/O contact, input: 24 V DC, output: 3 - 33 V DC/10 A

---

Solid-state relay module - PLC-OSC- 24DC/ 24DC/ 10/R - 2982702



PLC-INTERFACE with checkback contact, consisting of basic terminal block with screw connection and integrated miniature solid-state relay, for mounting on DIN rail NS 35/7,5, 1 N/O contact, input: 24 V DC, output: 3 ... 33 V DC/10 A

---

Solid-state relay module - PLC-OPT- 24DC/230AC/1 - 2900369



PLC-INTERFACE, consisting of PLC-BPT.../21 basic terminal block with push-in connection and plug-in miniature solid-state relay, for mounting on DIN rail NS 35/7,5, 1 N/O contact, input: 24 V DC, output: 24 - 253 V AC/0.75 A

---

Solid-state relay module - PLC-OSC- 24DC/230AC/ 1 - 2967840



PLC-INTERFACE, consisting of PLC-BSC.../21 basic terminal block with screw connection and plug-in miniature solid-state relay, for mounting on DIN rail NS 35/7,5, 1 N/O contact, input: 24 V DC, output: 24 - 253 V AC/0.75 A

---

## System connection - PLC-V8/FLK14/OUT - 2295554

### Accessories

Solid-state relay module - PLC-OPT- 24DC/300DC/1 - 2900383



PLC-INTERFACE, integrated solid-state relay, with push-in connection, for mounting on NS 35/7,5 DIN rails, input: 24 V DC, output: 12 - 300 V DC/1 A

---

Solid-state relay module - PLC-OSC- 24DC/300DC/ 1 - 2980678



PLC-INTERFACE, integrated solid-state relay, with screw connection, for mounting on NS 35/7,5 DIN rails, input: 24 V DC, output: 12 - 300 V DC/1 A

---

Solid-state relay module - PLC-OPT- 24DC/ 48DC/100 - 2900352



PLC-INTERFACE, consisting of PLC-BPT.../21 basic terminal block with push-in connection and plug-in miniature solid-state relay, for mounting on DIN rail NS 35/7,5, 1 N/O contact, input: 24 V DC, output: 3 - 48 V DC/100 mA

---

Solid-state relay module - PLC-OSC- 24DC/ 48DC/100 - 2966728



PLC-INTERFACE, consisting of PLC-BSC.../21 basic terminal block with screw connection and plug-in miniature solid-state relay, for mounting on DIN rail NS 35/7,5, 1 N/O contact, input: 24 V DC, output: 3 - 48 V DC/100 mA

---

Solid-state relay module - PLC-OPT- 24DC/ 48DC/500/W - 2900378



PLC-INTERFACE with electronic changeover contact, consisting of PLC-BPT.../21 basic terminal block with Push-in connection and integrated miniature solid-state relay, for mounting on DIN rail NS 35/7,5, 1 changeover contact, input: 24 V DC, output: 3-48 V DC/500 mA

---

## System connection - PLC-V8/FLK14/OUT - 2295554

### Accessories

Solid-state relay module - PLC-OSC- 24DC/ 48DC/500/W - 2980636



PLC electronic changeover contact with screw connection, for mounting on DIN rail NS 35/7,5, input: 24 V DC, output: 3-48 V DC/500 mA

---

Feed-through terminal block - PLC-VT - 2296870



VARIOFACE feed-through terminal block (2-conductor screw connection), for PLC-INTERFACE universal series

---

Feed-through terminal block - PLC-VT/LA - 2296854



VARIOFACE feed-through terminal block (2-conductor screw connection), for PLC-INTERFACE universal series, with 24 V DC LED display

---

Relay Module - PLC-RPT- 24DC/ 1/ACT - 2900312



PLC-INTERFACE for output functions, consisting of PLC-BPT.../ACT basic terminal block with push-in connection and plug-in miniature relay with power contact, for mounting on DIN rail NS 35/7,5, 1 N/O contact, input voltage 24 V DC

---

Relay Module - PLC-RSC- 24DC/ 1/ACT - 2966210



PLC-INTERFACE for output functions, consisting of PLC-BSC.../ACT basic terminal block with screw connection and plug-in miniature relay with power contact, for mounting on DIN rail NS 35/7,5, 1 N/O contact, input voltage 24 V DC

---

## System connection - PLC-V8/FLK14/OUT - 2295554

### Accessories

Solid-state relay module - PLC-OPT- 24DC/ 24DC/2/ACT - 2900376



PLC-INTERFACE for output functions, consisting of PLC-BPT.../ACT basic terminal block with push-in connection and plug-in miniature solid-state relay, for mounting on DIN rail NS 35/7,5, 1 N/O contact, input: 24 V DC, output: 3 - 33 V DC/3 A

---

Solid-state relay module - PLC-OSC- 24DC/ 24DC/ 2/ACT - 2966676



PLC-INTERFACE for output functions, consisting of PLC-BSC.../ACT basic terminal block with screw connection and plug-in miniature solid-state relay, for mounting on DIN rail NS 35/7,5, 1 N/O contact, input: 24 V DC, output: 3 - 33 V DC/3 A

---

Solid-state relay module - PLC-OSC- 24DC/230AC/ 1/ACT - 2967947



PLC-INTERFACE for output functions, consisting of PLC-BSC.../ACT basic terminal block with screw connection and plug-in miniature solid-state relay, for mounting on DIN rail NS 35/7,5, 1 N/O contact, input: 24 V DC, output: 24 ... 253 V AC/0.75 A

---

Feed-through terminal block - PLC-VT/ACT - 2295567



VARIOFACE feed-through terminal block (3-conductor screw connection), for PLC-INTERFACE actuator series

---

Feed-through terminal block - PLC-VT/ACT/LA - 2296867



VARIOFACE feed-through terminal block (3-conductor screw connection), for PLC-INTERFACE actuator series, with 24 V DC LED display

---

---

