

Screwdriver - SF-SL 0,6X3,5-100 S-VDE



1212587

<https://www.phoenixcontact.com/us/products/1212587>

Please be informed that the data shown in this PDF document is generated from our Online Catalog. Please find the complete data in the user documentation. Our General Terms of Use for Downloads are valid.



Actuation tool, for ST terminal blocks, VDE insulated, with slimmer insulation integrated in the blade, also suitable for use as a bladed screwdriver, size: 0.6 x 3.5 x 100 mm, 2-component grip, with non-slip grip

Your advantages

- In addition to standard applications, SF-SL ... screwdrivers are particularly suitable for modular terminal block assembly
- Because the insulation runs into the shaft, there is no protruding edge
- VDE-tested, for maximum safety

Commercial Data

Item number	1212587
Packing unit	1 pc
Minimum order quantity	10 pc
Sales Key	B14
Product Key	BH3144
Catalog Page	Page 446 (C-3-2019)
GTIN	4046356590228
Weight per Piece (including packing)	39.16 g
Weight per Piece (excluding packing)	37.84 g
Customs tariff number	82054000
Country of origin	CZ

Screwdriver - SF-SL 0,6X3,5-100 S-VDE



1212587

<https://www.phoenixcontact.com/us/products/1212587>

Technical Data

Notes

Environmental Product Compliance

California Proposition 65

Further information on California's prop. 65 is available under "Downloads" in the manufacturer's declaration

Product properties

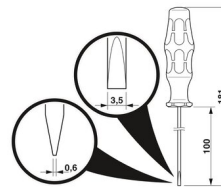
Type	Bladed
Product type	Screwdriver tools
Type	straight

Connection data

Output	Bladed
--------	--------

Dimensions

Dimensional drawing



Width	26 mm
Blade width	3.5 mm
Blade height	100 mm
Length	181 mm
Wrench size	0 mm
Blade thickness	0.6 mm

Material specifications

Material	alloyed tool steel
----------	--------------------

Standards and regulations

Tests	DIN/ISO 2380-1 IEC 60900:2004
-------	-------------------------------

Mounting

Wrench size	0 mm
-------------	------

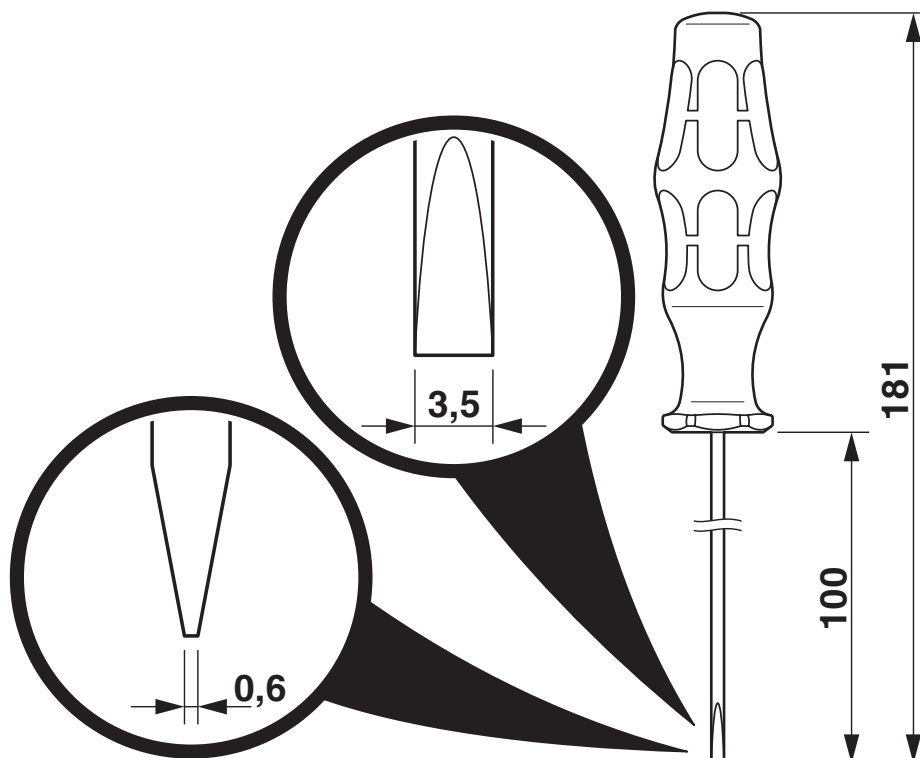
Screwdriver - SF-SL 0,6X3,5-100 S-VDE

1212587

<https://www.phoenixcontact.com/us/products/1212587>

Drawings

Dimensional drawing



Screwdriver - SF-SL 0,6X3,5-100 S-VDE



1212587

<https://www.phoenixcontact.com/us/products/1212587>

Approvals



EAC

Approval ID: RU C-DE.AI30.B.01750



VDE Zeichengenehmigung

Approval ID: 40032921

Screwdriver - SF-SL 0,6X3,5-100 S-VDE



1212587

<https://www.phoenixcontact.com/us/products/1212587>

Classifications

ECLASS

ECLASS-9.0	21040407
ECLASS-10.0.1	21040407
ECLASS-11.0	21040407

ETIM

ETIM 8.0	EC000158
----------	----------

UNSPSC

UNSPSC 21.0	27111700
-------------	----------

Phoenix Contact 2022 © - all rights reserved

<https://www.phoenixcontact.com>

Phoenix Contact USA
586 Fulling Mill Road
Middletown, PA 17057, United States
(+717) 944-1300
info@phoenixcon.com