

# Interior installation

## System lights



### Compact light

- Slimmer: Around 50% less height and depth and therefore around 75% less volume than conventional lights
- Door-operated switch can also be connected via a 2-pole connector

#### Colour:

- Similar to RAL 7035

#### Protection category IP to IEC 60 529:

- IP 20

#### Supply includes:

- Compact light with clip and screw mounting kits, including assembly parts

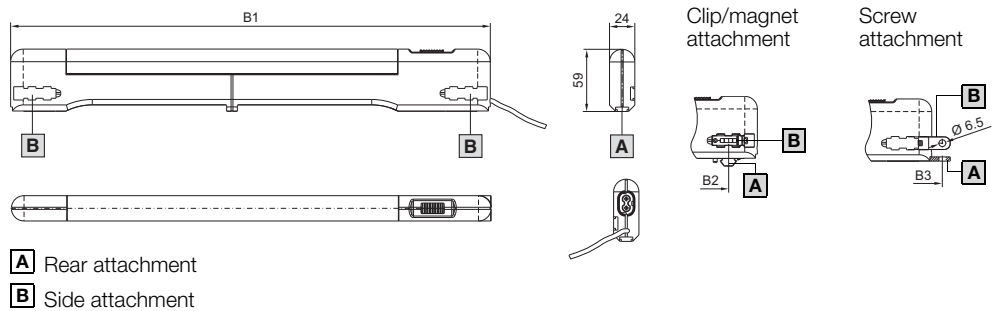


#### Accessories:

- Mounting kit magnet for compact light, see page 754
- Door-operated switch with connection cable, see page 755

Model No.	ENEC 24 cURus	4140.010	- 4140.210 <sup>1)</sup>	4140.020	- 4140.220 <sup>1)</sup>	4140.110	4140.120
Rated voltage		100 – 240 V ±10% at 50 – 60 Hz				24 V (DC) ±10%	
Wattage		8		14		8	14
Protection category		II (all-insulated)					
Width (B1) mm		455		705		455	705
Mounting distance (B2) mm clip/magnet		400		650		400	650
Mounting distance (B3) mm		475		725		475	725
Connection cable		3 m (open end)					
Cover colour		yellow	grey	yellow	grey	yellow	yellow
Rated current A							
- at 230 V		0.045 – 0.088		0.073 – 0.127		-	
- at 110 V		0.083 – 0.149		0.149 – 0.216		-	
- at 24 V (DC)		-		-		0.35	
Light		Fluorescent lamp T5					
Operating unit		Wide-range electronic ballast				Electronic ballast	
Circuit-breakers		Integral, on/off/door-operated switch mode					
Light cover		Transparent, grooved on the inside					
Cable deflector across rear		■	-	■	-	■	■

<sup>1)</sup> Only for the North American market



### Mounting kit magnet

for compact light and LED compact system light

For reliable adhesion on all sheet steel surfaces.

Packs of	Model No.
2 pc(s).	4140.000

### Connection accessories

#### For universal light, courtesy light and compact light

The following components can be used for time-saving and simple installation of the lights:



#### Accessories:

- Cable ties for quick assembly, see page 785

Connection cable for	UL	Length mm	Packs of	Model No.	
				orange	grey
1 Power supply (with jack, without connector)	-	3000	5 pc(s).	4315.100	-
1 Power supply (with socket and strain relief, without connector)	■	3000	1 pc(s).	-	4315.150
2 Through-wiring (with socket and connector)	■	600	1 pc(s).	-	4315.450
2 Through-wiring/power supply via connection component 2507.500 (with socket and connector)	-	600	5 pc(s).	4315.400	-
	-	1000	5 pc(s).	4315.200	-
	-	4000	1 pc(s).	4315.600	-

Door-operated switch with mounting accessories	UL	Length mm	Technical specifications	Packs of	Model No.		
					orange	yellow	grey
3 With connection cable (not required for universal lights and courtesy lights with integral door-operated switch) Without connection cable	-	600	240 V, 6 A 125 V, 8 A 24 V, 6 A 24 V (DC), 6 A	1 pc(s).	4315.520	-	-
		1000		1 pc(s).	4315.320	-	-
	■	-	1 pc(s).	4127.010			
4 With connection cable (for compact light)	-	600	240 V, 2.5 A 125 V, 2.5 A 24 V, 2.5 A 24 V (DC), 2.5 A	1 pc(s).	-	4315.710	-
	■	600		1 pc(s).	-	-	4315.720

#### Also required:

Mounting kit for installation in HP	7888.615
-------------------------------------	----------

Door-operated switch with toggle	UL	Technical specifications	Packs of	Model No.
5 Without connection cable, for TS enclosures with installed large swing frame. The toggle is actuated via the tubular door frame of the sheet steel door, or in the case of glazed doors, via an adaptor included with the supply.	■	240 V, 6 A 125 V (DC), 8 A 24 V, 6 A 24 V (DC), 6 A	1 pc(s).	4127.210

Connection component with circuit-breaker 10 A	Packs of	Model No.
6 Reduce assembly costs: Power is supplied rapidly and reliably to system and workstation lights via connection cables. For independently configured cables, connector 2507.200 must be used. Connection component to be snapped onto the top hat rail.	1 pc(s).	2507.500

For self-assembly	Packs of	Model No.
Sockets for power supply/through-wiring	5 pc(s).	2507.100
Connectors for connection component/through-wiring	5 pc(s).	2507.200
T distributor with 2 sockets, 1 connector	5 pc(s).	2507.300
Connector for door-operated switch cable	5 pc(s).	2507.400

- 1 Connection cable for infeed
- 2 Connection cable for through-wiring/infeed
- 3 Door-operated switch with connection cable

